



GC 25/56 Potato Peeler

Combining the best of Simon's technology with Gary's craftsmanship

Quiet Operation

The Fry Factory Peeler is designed to run as quietly as possible with both the water inlet and motor operating quietly and smoothly

Larger Waste Outlet

With a larger waste outlet than other models, this peeler ensures a load is completed quickly, with no blockages.

Large Shaft Size

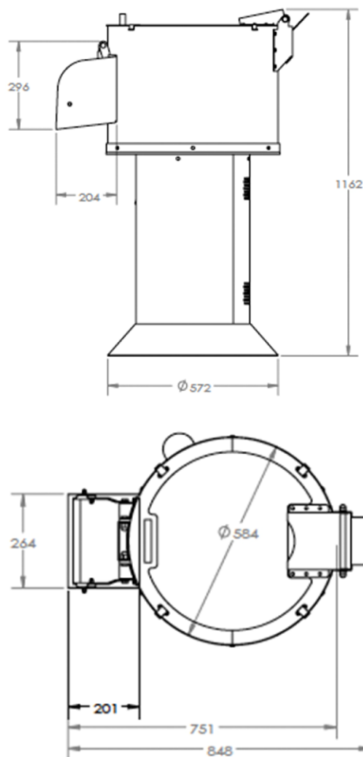
For prolonged life

Longer Peeling Life

A unique stainless 304 steel peeling plate prevents rusting and corrosion, offering a longer service life and less maintenance. 18 GA stand and body.

Easy Cleaning and Maintenance

Made entirely from hygienic rust free stainless steel, this machine simply requires a quick wipe down when cleaning.



Fry Factory Inc.
67 Watts Avenue,
Charlottetown, PE,
Canada
C1E 2B7
www.fryfactoryinc.com
info@fryfactoryinc.com

Capacity - 56lbs (25kg)
Output - 1,300lbs (600kg)
Weight - 210lb (95kg)
Electrics - 110V Single Phase, 1.5 HP Motor, 14.4Amps, 60Hz